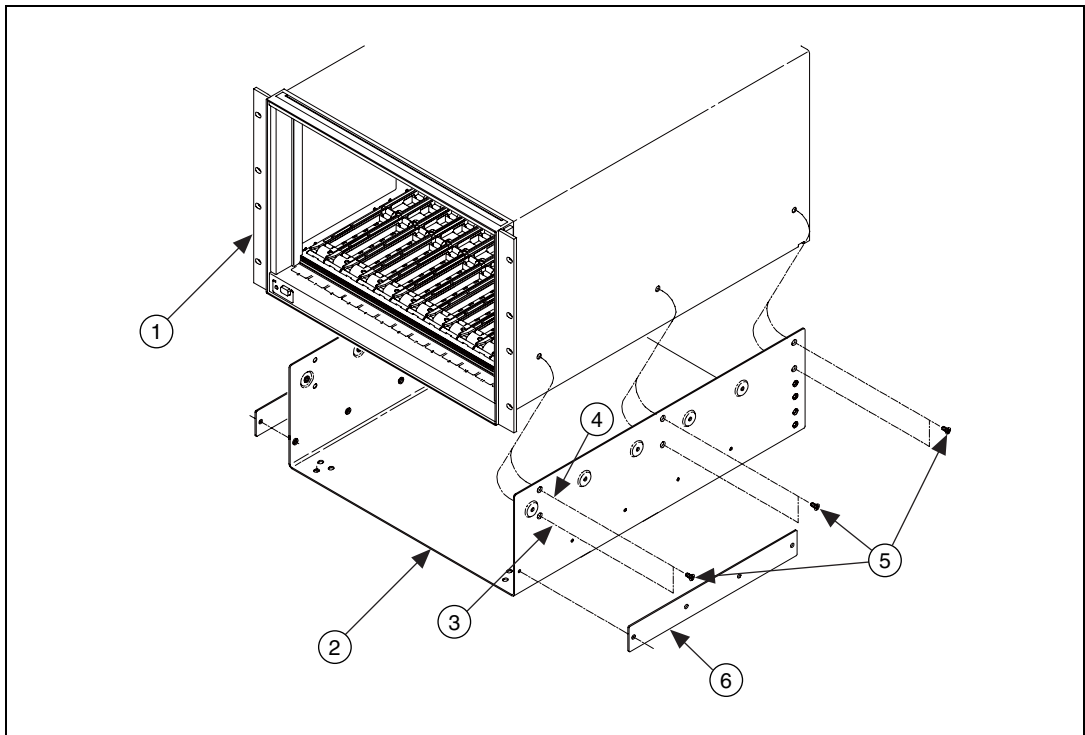


## VXI-1501 CABLE TRAY KIT

This kit includes a cable tray for use with the VXI-1501 mainframe. The tray and mainframe can be rack mounted using rack slides (purchased separately).

### Installing the Cable Tray



- |  |   |
|--|---|
| 1 VXI-1501 Chassis                                 | 4 Deep Tray Depth Position (88.9 mm, 3.5 in.)     |
| 2 Cable Tray                                       | 5 Flathead Screw, M5x10L (Three Per Side)         |
| 3 Standard Tray Depth Position (44.5 mm, 1.75 in.) | 6 Rack Slide Spacer (for Rack Slide Installation) |

**Figure 1.** Installing the Cable Tray

Choose one of the two installation options for the cable tray depth. You can mount the tray in the standard tray depth position or the deep tray depth position. Refer to Figure 1.

Follow these steps to install the cable tray:

1. Place the VXI-1501 on its rear feet.
2. Mount the cable tray using three of the M5x10L flathead screws (packaged with the cable tray spacers) on each side of the chassis. Using the tray holes as a guide, make sure the tray is oriented correctly, as shown in Figure 1.

Note that the cable tray has holes on the bottom for the chassis feet, should you decide to use the chassis on a bench top when it is not rack mounted.



**Note** When installing only the cable tray (*not* the slide kit), you will *not* use the rack slide spacers included with this kit.



322828B-01

Ju101